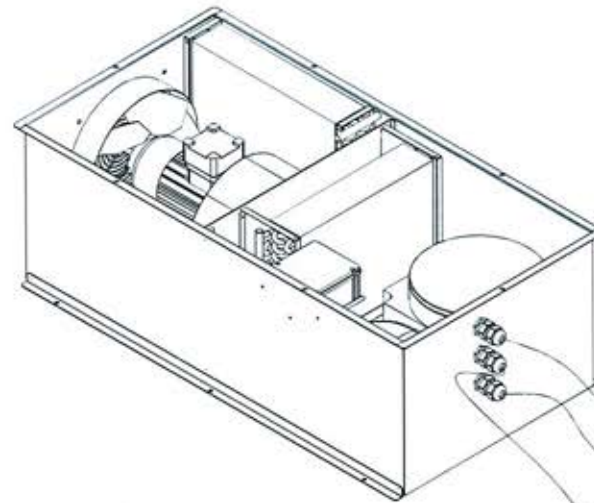
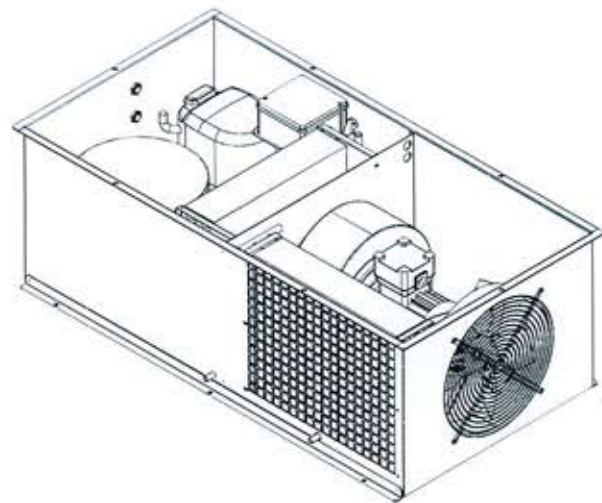


3D VIEW



CUSTOMER CONNECTION  
JB0



POWER SUPPLY  
CUSTOMER CABLE INLET

L=1,5mt

COMMAND CONSOLE  
JB2



L=10mt

AMBIENT  
THERMOSTAT



L=10mt

TIPO TYPE **MAC-CRX402ZF00** MATRICOLA SERIAL NUMBER **34/18-AC**

CE 0722 II 2G Ex d e ia mb pxb IIB+H2 T4 Gb

CESI 16 ATEX 054X  
TEMP. SERV. SERVICE TEMP. -10++45°C  
TEMP. STOCC. STORAGE TEMP. -23++45°C

Un 230 V In 10 A fn 60 Hz

NON APRIRE PRIMA DI AVER TOLTO TENSIONE  
CONSULTARE LE ISTRUZIONI PRIMA DI APRIRE  
DO NOT OPEN BEFORE SWITCH OFF POWER SUPPLY  
SEE INSTRUCTION BEFORE OPENING

TIPO TYPE **MCE-01** MATRICOLA SERIAL NUMBER **34/18-AC**

CE 0722 II 2GD Ex mb pxb IIC T4 Gb

CESI 16 ATEX 053X  
TEMP. SERV. SERVICE TEMP. -10++45°C  
TEMP. STOCC. STORAGE TEMP. -23++45°C

Un 230 V Pn 1,5 kW fn 60 Hz

WARNING  
PRESSURIZED ENCLOSURE  
THIS ENCLOSURE IS PROTECTED  
BY STATIC PRESSURIZATION  
THIS ENCLOSURE SHALL BE FILLED  
ONLY IN A NON-HAZARDOUS AREA  
ACCORDING TO THE  
MANUFACTURER'S INSTRUCTIONS  
THIS ENCLOSURE CONTAINS INERT  
GAS AND MAY BE AN  
ASPHYXIATION HAZARD

I.B.

TITOLO TITLE  
7/12 Ex AIR CONDITIONER  
LAYOUT

REVISIONE - REVISION			
A	20/11/18	D	G
B		E	H
C	22/02/19	F	I

DIS.N° - DWG No.  
**A3-C481-5902**

FOGLIO SHEET  
4 / 5  
SEQUE FOLLOW